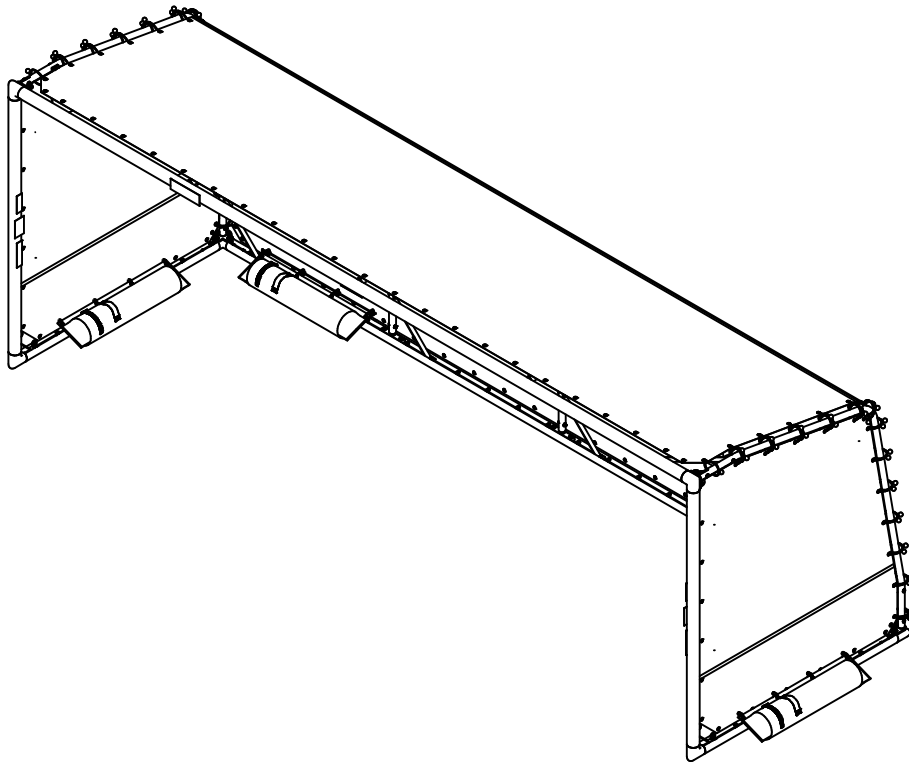


CTS-18

SOCCER CLUB SHELTER

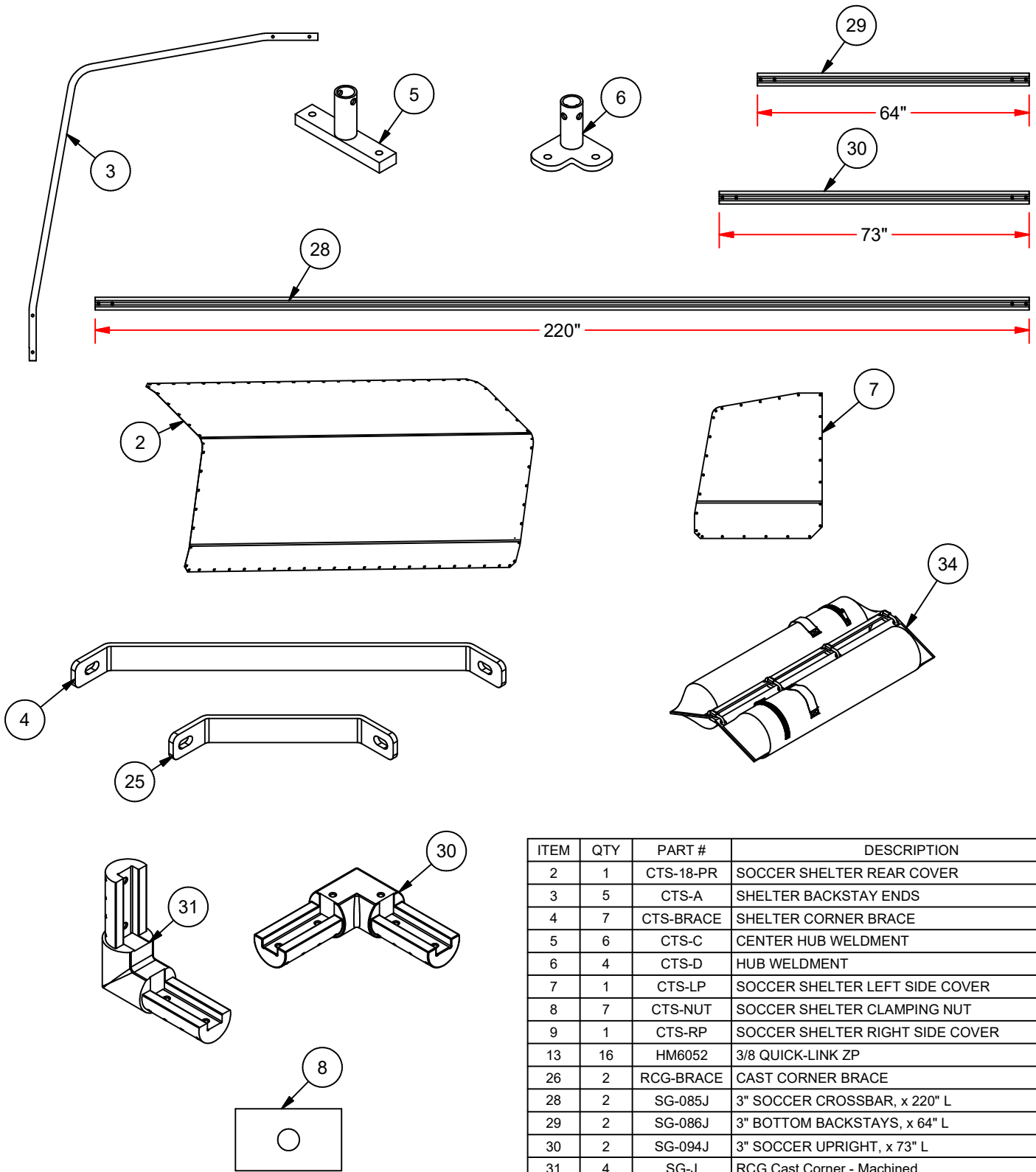


Installation and Maintenance Manual

Call Jaypro Sports at 1-800-243-0533 during regular business hours for technical support.

www.jayprosports.com

SOCCER CLUB SHELTER



ITEM	QTY	PART #	DESCRIPTION
2	1	CTS-18-PR	SOCCER SHELTER REAR COVER
3	5	CTS-A	SHELTER BACKSTAY ENDS
4	7	CTS-BRACE	SHELTER CORNER BRACE
5	6	CTS-C	CENTER HUB WELDMENT
6	4	CTS-D	HUB WELDMENT
7	1	CTS-LP	SOCCER SHELTER LEFT SIDE COVER
8	7	CTS-NUT	SOCCER SHELTER CLAMPING NUT
9	1	CTS-RP	SOCCER SHELTER RIGHT SIDE COVER
13	16	HM6052	3/8 QUICK-LINK ZP
26	2	RCG-BRACE	CAST CORNER BRACE
28	2	SG-085J	3" SOCCER CROSSBAR, x 220" L
29	2	SG-086J	3" BOTTOM BACKSTAYS, x 64" L
30	2	SG-094J	3" SOCCER UPRIGHT, x 73" L
31	4	SG-J	RCG Cast Corner - Machined
32	2	SG-K	Bottom RCG Cast Corner - Machined
34	4	SWB-SS-A	SOCCER SHELTER SAND TUBE ASSEMBLY



CTS-18 Installation

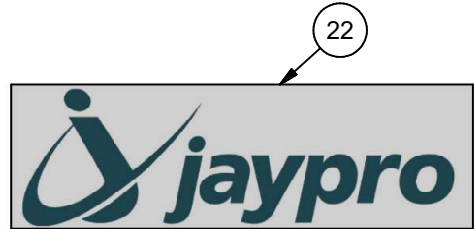
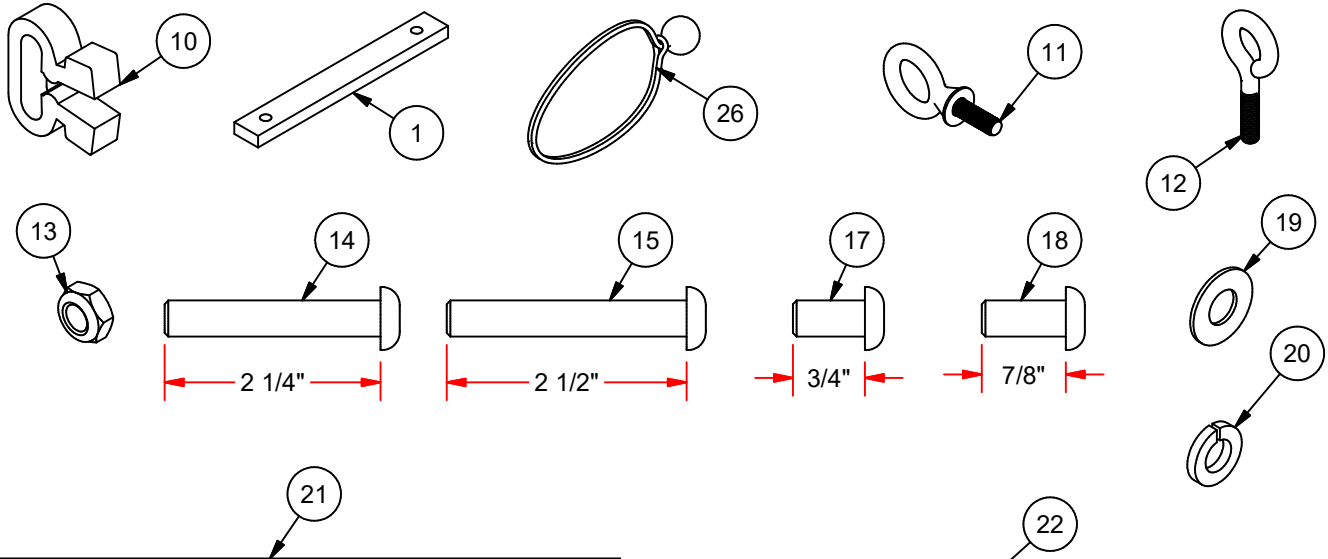
www.jayprosports.com / (800) 243-0533 / 976 Hartford Tpke, Waterford, CT 06385 USA

SUBJECT TO CHANGES IN DESIGN AND MANUFACTURING

© COPYRIGHT 2024 JAYPRO SPORTS, LLC. ALL RIGHTS RESERVED

Sheet 2 of 13

SOCCER CLUB SHELTER



ITEM	QTY	PART #	DESCRIPTION
1	6	AR5232	ALUMINUM FLAT BAR
10	1 BAG	ENC-824A	EASY TRACK NET CLIP
11	8	HB5096	3/8-16 X 1-1/2 FORGED EYEBOLT
12	4	HB5129	3/8-16 x 1 1/2 EYEBOLT 3" OAL ZP
13	17	HN1230	3/8-16 UNC-Thin Nylon Lock Nut-ZP-GrNC
14	10	HS5157	3/8-16 x 2-1/4 HEX BUTTON CAP SCREW-SS
15	7	HS5202	3/8-16 X 2 1/2 BUTTON HEAD CAP SCREW SS
16	12	HS5225	3/8-16 x 1-1/4 HEX BUTTON CAP SCREW-SS
17	20	HS5228	3/8-16 x 3/4 HEX BUTTON CAP SCREW-SS
18	7	HS5358	3/8-16 x 7/8 HEX BUTTON CAP SCREW-SS
19	86	HW2151	3/8" FLT SAE, SS
20	51	HW2152	3/8" MEDIUM SPLIT LOCK WASHER, SS
21	1	LL1059	WARNING CROSSBAR NOVA SERIES
22	1	LL1074	NEW ROYAL JAYPRO HORIZONTAL LABEL
23	2	LL1085	NEW WARNING ALWAYS ANCHOR GOAL
24	2	LL1086	NEW WARNING GOAL SECURELY ANCHORED
26	54	RR5022	BUNGIE BALL 6 in BLACK
32	2	SL0035	WARNING NEVER CLIMB ON GOAL/ALWAY ANCHOR



CTS-18 Installation

www.jayprosports.com / (800) 243-0533 / 976 Hartford Tpke, Waterford, CT 06385 USA

SUBJECT TO CHANGES IN DESIGN AND MANUFACTURING

© COPYRIGHT 2024 JAYPRO SPORTS, LLC. ALL RIGHTS RESERVED

Sheet 3 of 13

SOCCER CLUB SHELTER

FIRST ASSEMBLE FRONT FACE OF SHELTER FRAME

1. Lay out the two uprights, one crossbar, two corner hubs, two 1.5" nut bars, three 7" nut bars, and two end corner fittings as per Figure A-1.

ITEM	PART #	DESCRIPTION
1	AR5232	ALUMINUM FLAT BAR
6	CTS-D	HUB WELDMENT
8	CTS-NUT	SOCCER SHELTER CLAMPING NUT
27	SG-085J	3" SOCCER CROSSBAR, x 220" L
29	SG-094J	3" SOCCER UPRIGHT, x 73" L
31	SG-K	Bottom RCG Cast Corner - Machined

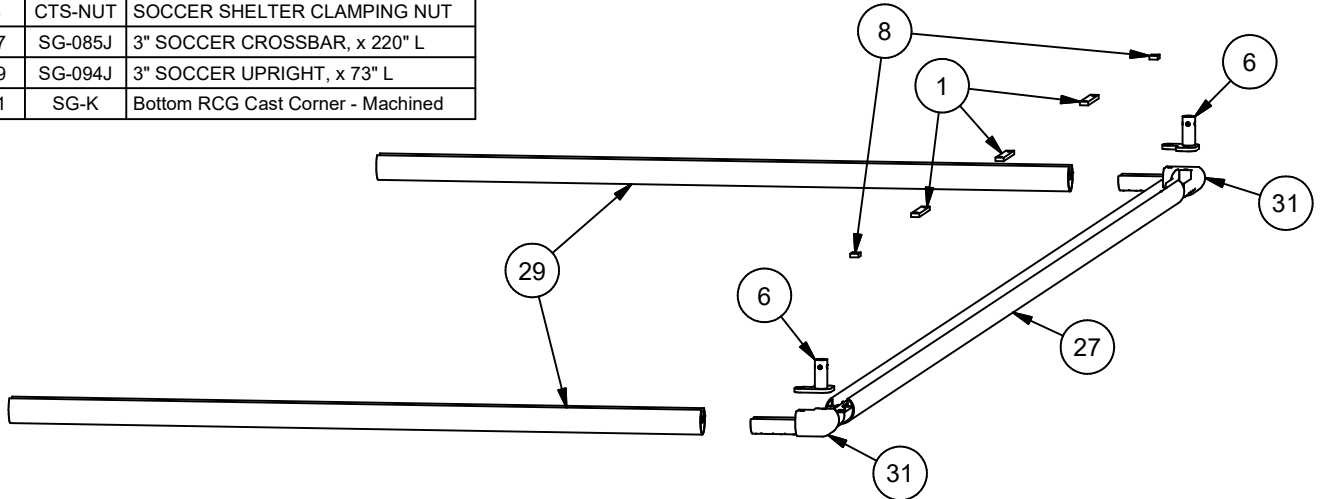


FIGURE A-1

2. **CRITICAL STEP** Insert the three 7" nut bars and two 1.5" nut bars into the track of the cross bar **IN ORDER** as shown in Figure A-2. **Failure to do so at this step will require full disassembly.**

ITEM	PART #	DESCRIPTION
1	AR5232	ALUMINUM FLAT BAR
8	CTS-NUT	SOCCER SHELTER CLAMPING NUT
27	SG-085J	3" SOCCER CROSSBAR, x 220" L

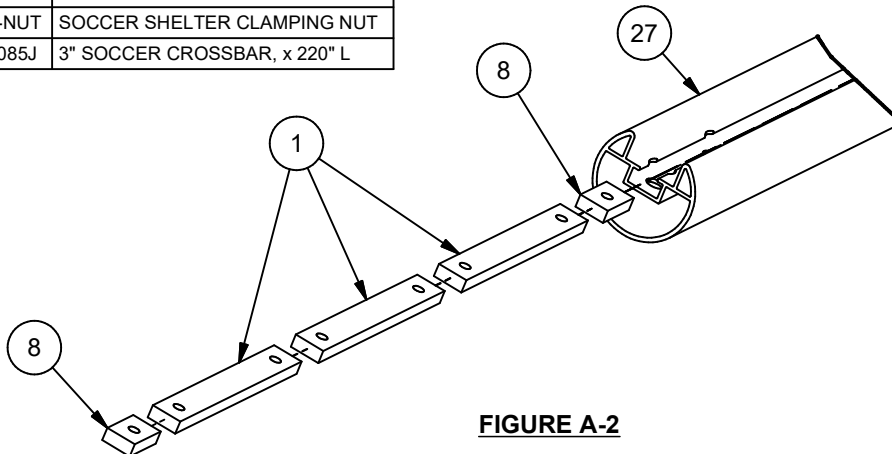


FIGURE A-2



CTS-18 Installation

www.jayprosports.com / (800) 243-0533 / 976 Hartford Tpke, Waterford, CT 06385 USA

SUBJECT TO CHANGES IN DESIGN AND MANUFACTURING

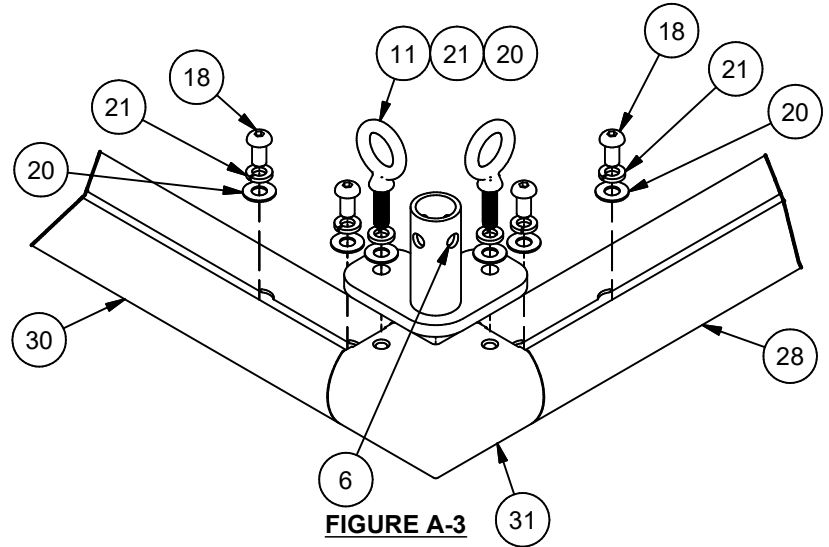
© COPYRIGHT 2024 JAYPRO SPORTS, LLC. ALL RIGHTS RESERVED

Sheet 4 of 13

SOCCER CLUB SHELTER

3. Insert both end corners into either end of the crossbar, and both uprights onto the end corners as shown in Figure A-3.
4. Install the two corner hubs onto the inside faces of each upper corner using the four shouldered eyebolts, four lock washers and four standard washers as shown in Figure A-3.
5. Install 3/8" button head screws, lock washers, and standard washers as shown in Figure A-3 and torque all hardware to 23 ft-lbs.

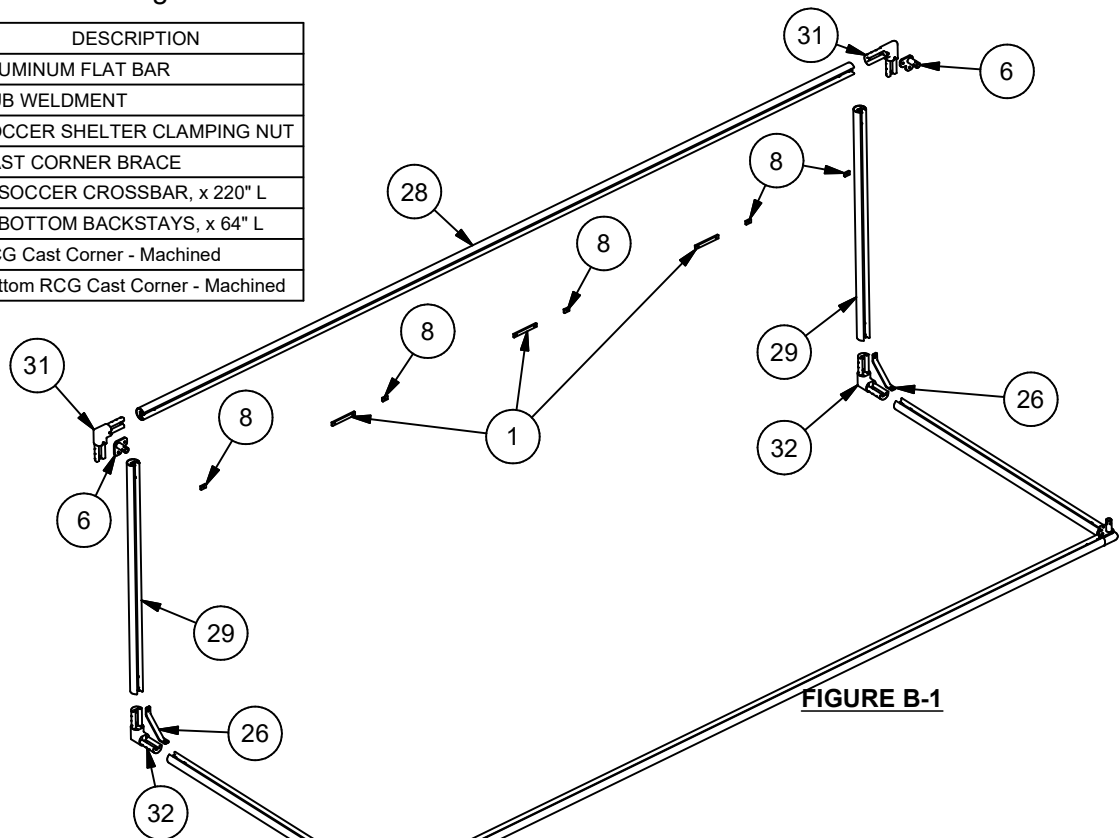
ITEM	PART #	DESCRIPTION
6	CTS-D	HUB WELDMENT
11	HB5096	3/8-16 x 1-1/2 FORGED EYEBOLT
18	HS5228	3/8-16 x 3/4 HEX BUTTON CAP SCREW-SS
20	HW2151	3/8" FLT SAE, SS
21	HW2152	3/8" MEDIUM SPLIT LOCK WASHER, SS
28	SG-085J	3" SOCCER CROSSBAR, x 220" L
30	SG-094J	3" SOCCER UPRIGHT, x 73" L
31	SG-J	RCG Cast Corner - Machined



ASSEMBLE SHELTER BASE

1. Lay out the two frame legs, rear crossbar, the remaining 1.5" and 7" nutbars, and four remaining corners as well as the corner braces, remaining eyebolts, optional wheel kits and corner hubs as shown in Figure B-1.

ITEM	PART #	DESCRIPTION
1	AR5232	ALUMINUM FLAT BAR
6	CTS-D	HUB WELDMENT
8	CTS-NUT	SOCCER SHELTER CLAMPING NUT
26	RCG-BRACE	CAST CORNER BRACE
28	SG-085J	3" SOCCER CROSSBAR, x 220" L
29	SG-086J	3" BOTTOM BACKSTAYS, x 64" L
31	SG-J	RCG Cast Corner - Machined
32	SG-K	Bottom RCG Cast Corner - Machined



CTS-18 Installation

www.jayprosports.com / (800) 243-0533 / 976 Hartford Tpke, Waterford, CT 06385 USA

SUBJECT TO CHANGES IN DESIGN AND MANUFACTURING

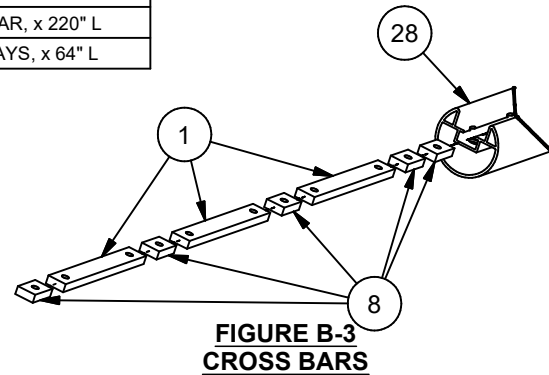
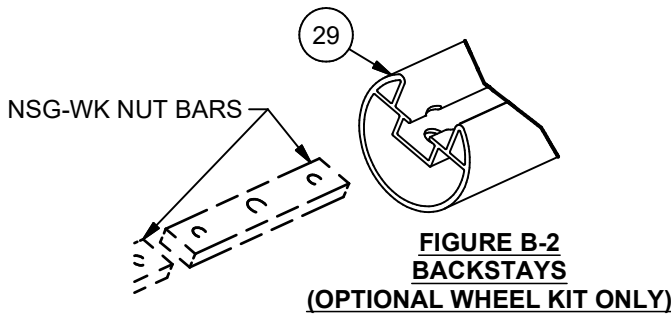
© COPYRIGHT 2024 JAYPRO SPORTS, LLC. ALL RIGHTS RESERVED

Sheet 5 of 13

SOCCER CLUB SHELTER

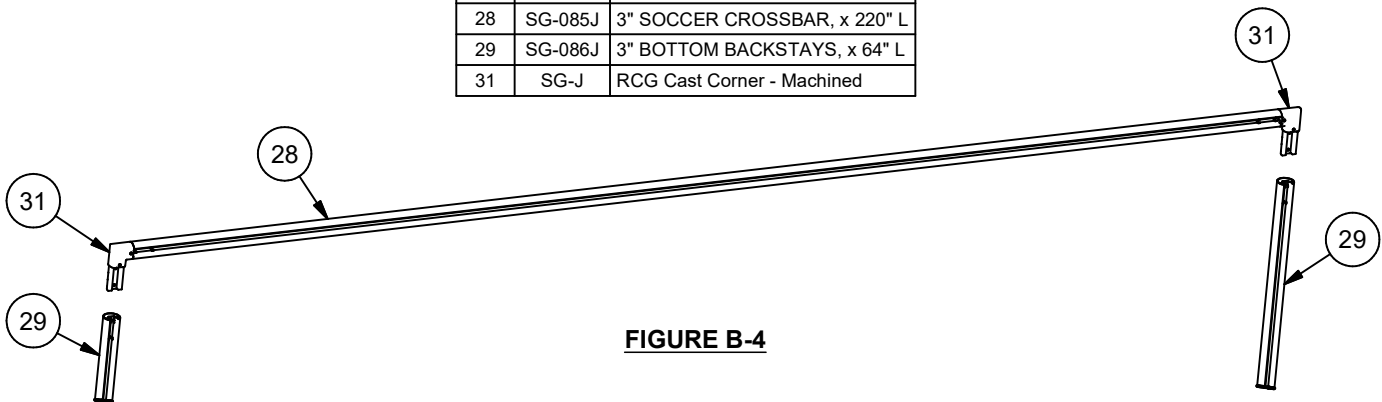
- Insert both lower corner fittings into the ends of the uprights and install the two frame legs onto each lower corner fittings as shown in Figure B-1.
- CRITICAL STEP** Insert the four wheel-kit nutbars into the tracks of the of the frame legs as shown in Figure B-2 (Only if optional wheel kit included), and the remaining 1.5" and 7" nutbars into the tracks of the rear crossbar **IN ORDER** as shown in Figure B-3. **Failure to do so at this step will require disassembly.**

ITEM	PART #	DESCRIPTION
1	AR5232	ALUMINUM FLAT BAR
8	CTS-NUT	SOCCER SHELTER CLAMPING NUT
28	SG-085J	3" SOCCER CROSSBAR, x 220" L
29	SG-086J	3" BOTTOM BACKSTAYS, x 64" L



- Insert the last two corners into each end of the rear crossbar, and lift the rear crossbar with installed corners up and into the upright ends of the lower frame tubes as shown in Figure B-4.

ITEM	PART #	DESCRIPTION
28	SG-085J	3" SOCCER CROSSBAR, x 220" L
29	SG-086J	3" BOTTOM BACKSTAYS, x 64" L
31	SG-J	RCG Cast Corner - Machined



- Install the corner hubs onto the rear corners with the shouldered eyebolts, lock washers, and standard washers as previously done in Figure A-3.
- Install remaining 3/8" button head screws, lock washers, and standard washers as shown in Figure A-3 and torque all hardware to 23 ft-lbs.

SOCCER CLUB SHELTER

COMPLETE THE FRAME ASSEMBLY

1. If optional wheel kit is included, assemble all four wheel kits as shown in Figure C-1, each kit can make a right or left depending on hardware placement. Ensure there are two of each, and install on the frame legs using the previously installed nutbars as shown in Figure C-2. **DO NOT COVER THE THREADED HOLES FOR THE CORNER FITTINGS.**

NOTE: NSG-WK includes four wheel assemblies. Wheel assemblies may be used in pairs, (i.e. two per goal) which would require lifting one end of goal to move. Alternately, four wheel assemblies may be installed on a soccer goal to avoid the need to lift. At least two people are required to properly move a soccer goal, to prevent personal injury or damage to the goal.

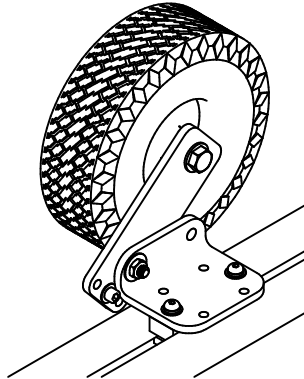


FIGURE C-1

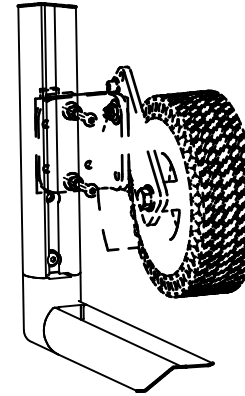


FIGURE C-2

2. Install the smaller corner braces using the four hooked eyebolts, lock washers, and standard washers as shown in Figure C-3. The eyebolts will thread through the frame pieces and into the corner fittings.
3. Ensure all bolts are inserted into the correct position and tighten all hardware to 23 ft-lbs.
4. With assistance, tip the frame assembly into the typical upright position as shown in Figure C-4.

ITEM	PART #	DESCRIPTION
12	HB5129	3/8-16 x 1 1/2 EYEBOLT 3" OAL ZP
20	HW2151	3/8" FLT SAE, SS
21	HW2152	3/8" MEDIUM SPLIT LOCK WASHER, SS
26	RCG-BRACE	CAST CORNER BRACE

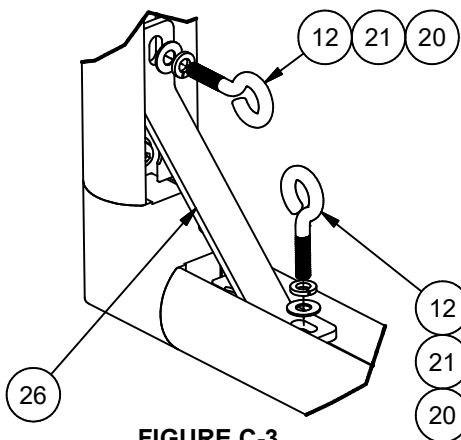


FIGURE C-3

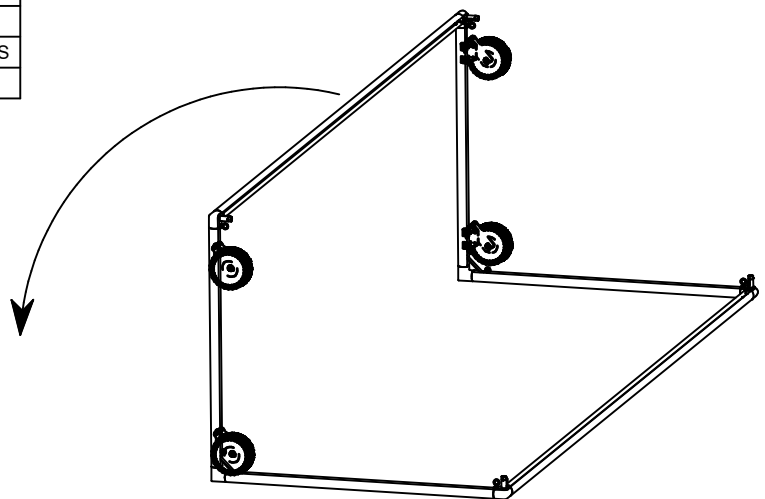


FIGURE C-4

SOCCER CLUB SHELTER

INSTALLING COVER BACKSTAYS

- Gather all backstays, center hubs, braces, bolts, washers, and nuts as shown in Figure D-1.

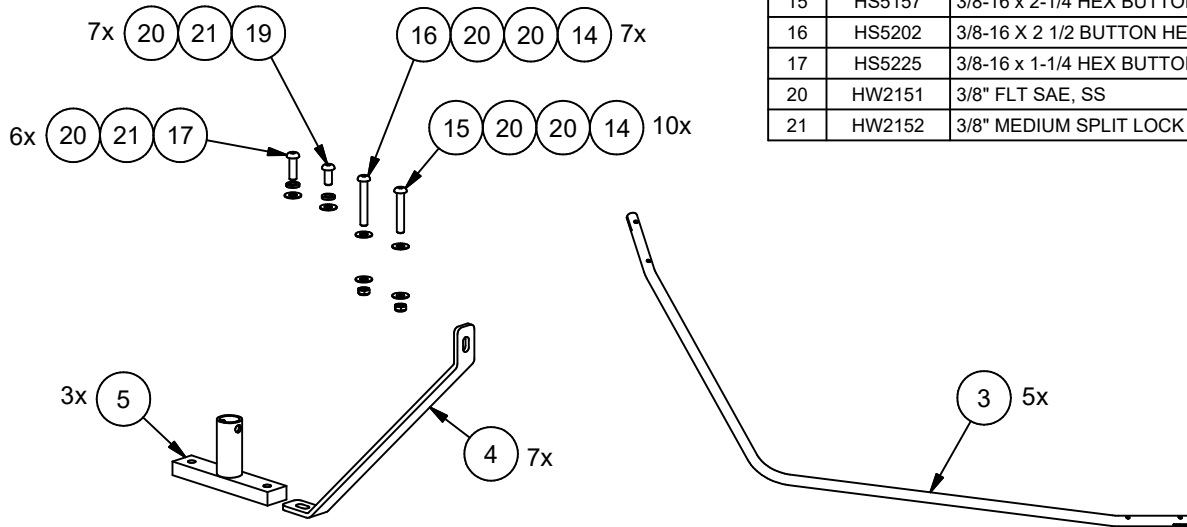


FIGURE D-1

ITEM	PART #	DESCRIPTION
3	CTS-A	SHELTER BACKSTAY ENDS
4	CTS-BRACE	SHELTER CORNER BRACE
5	CTS-C	CENTER HUB WELDMENT
14	HN1230	3/8-16 UNC-Thin Nylon Lock Nut-ZP-GrNC
15	HS5157	3/8-16 x 2-1/4 HEX BUTTON CAP SCREW-SS
16	HS5202	3/8-16 X 2 1/2 BUTTON HEAD CAP SCREW SS
17	HS5225	3/8-16 x 1-1/4 HEX BUTTON CAP SCREW-SS
20	HW2151	3/8" FLT SAE, SS
21	HW2152	3/8" MEDIUM SPLIT LOCK WASHER, SS

- Observe all nutbars placed into the frame tracks. Measure and place all 7" nuts in upper and lower crossbars at an even spacing of 56.25". Measurements are made from the center of the hubs at either end to the center of each nutbar.



FIGURE D-2

- Install the 6 center hubs on the 7" nut bars in upper and lower crossbars, loosely install 3/8" button head screws, lock washers, and standard washers as shown in Figure D-3.

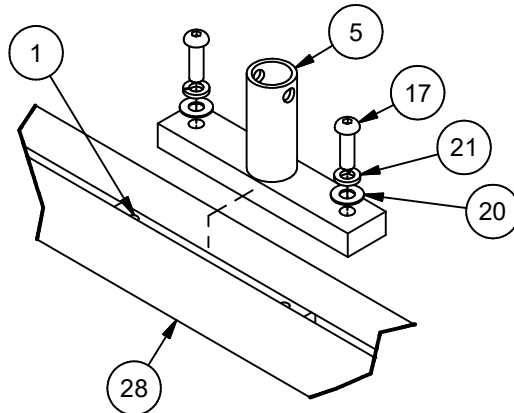


FIGURE D-3

ITEM	PART #	DESCRIPTION
1	AR5232	ALUMINUM FLAT BAR
5	CTS-C	CENTER HUB WELDMENT
17	HS5225	3/8-16 x 1-1/4 HEX BUTTON CAP SCREW-SS
20	HW2151	3/8" FLT SAE, SS
21	HW2152	3/8" MEDIUM SPLIT LOCK WASHER, SS
28	SG-085J	3" SOCCER CROSSBAR, x 220" L



CTS-18 Installation

www.jayprosports.com / (800) 243-0533 / 976 Hartford Tpke, Waterford, CT 06385 USA

SUBJECT TO CHANGES IN DESIGN AND MANUFACTURING

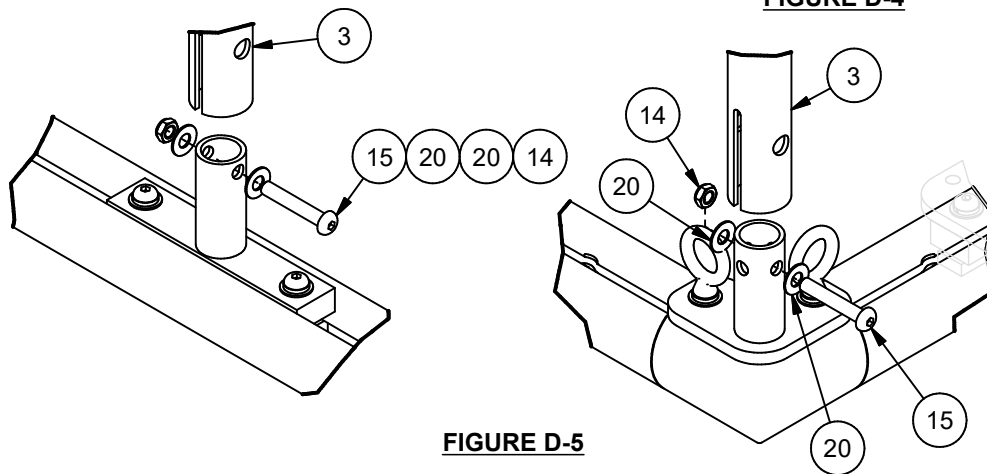
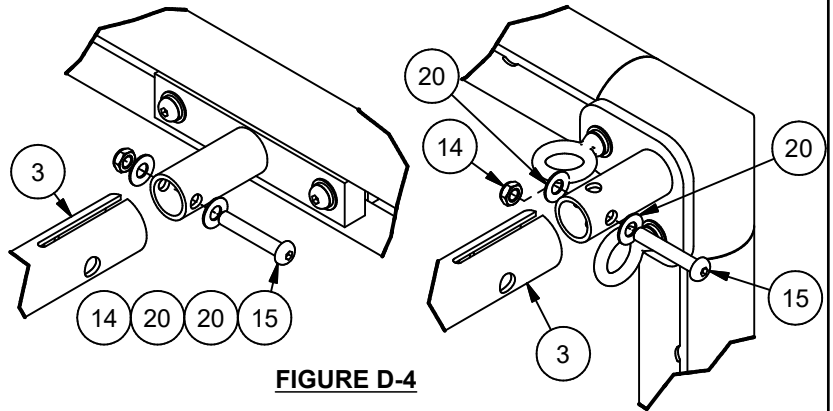
© COPYRIGHT 2024 JAYPRO SPORTS, LLC. ALL RIGHTS RESERVED

Sheet 8 of 13

SOCCER CLUB SHELTER

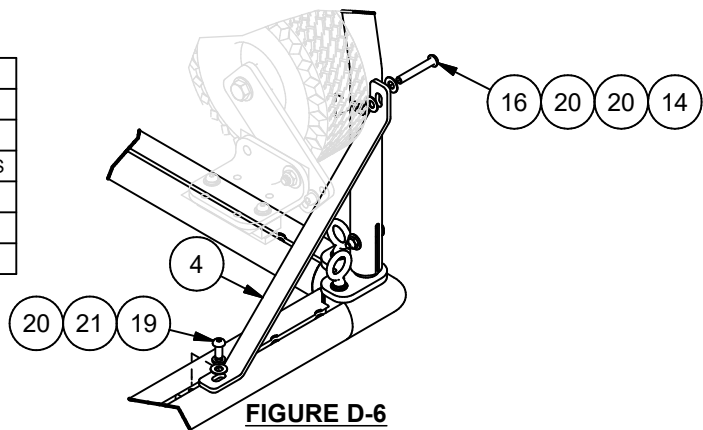
4. Install each backstay by inserting over each upper hub, aligning the thru holes and inserting 3/8" button head screws, using the standard washers and locknuts as shown in Figure D-4. Then place the bottom end of the backstay into the lower hubs, as shown in Figure D-5, aligning holes and fastening with bolts, washers and nuts. Leave all hardware slightly loose.

ITEM	PART #	DESCRIPTION
3	CTS-A	SHELTER BACKSTAY ENDS
14	HN1230	3/8-16 UNC-Thin Nylon Lock Nut-ZP-GrNC
15	HS5157	3/8-16 x 2-1/4 HEX BUTTON CAP SCREW-SS
20	HW2151	3/8" FLT SAE, SS



5. Once all backstays are installed, install 5 braces on bottom end of each backstay, and 2 on each upper corner using the previously installed 1.5" nutbars. Fasten with 3/8" bolts, using lock and standard washers on the crossbar side, and standard washers and locknuts through the backstays as shown in Figure D-6.

ITEM	PART #	DESCRIPTION
4	CTS-BRACE	SHELTER CORNER BRACE
14	HN1230	3/8-16 UNC-Thin Nylon Lock Nut-ZP-GrNC
16	HS5202	3/8-16 X 2 1/2 BUTTON HEAD CAP SCREW SS
19	HS5358	3/8-16 x 7/8 HEX BUTTON CAP SCREW-SS
20	HW2151	3/8" FLT SAE, SS
21	HW2152	3/8" MEDIUM SPLIT LOCK WASHER, SS



6. Once all hardware is loosely installed, ensure that each backstay is oriented 90 degrees to the crossbars, and tighten all hardware to 23 ft-lbs.



CTS-18 Installation

SOCCER CLUB SHELTER

ASSEMBLE SHELTER COVERS

1. Gather the two side covers, rear cover, net clips, bungee balls, and rope together as shown in Figure E-1.
2. Weave a length of rope through the grommets on the top of the rear cover, another length through the bottom of the rear cover, and lengths through **ONLY** the front facing edge of the side covers as shown. **LEAVE ENOUGH ROPE IN THE SIDE COVERS TO WEAVE THROUGH THE BOTTOM EDGE IN LATER STEPS.**

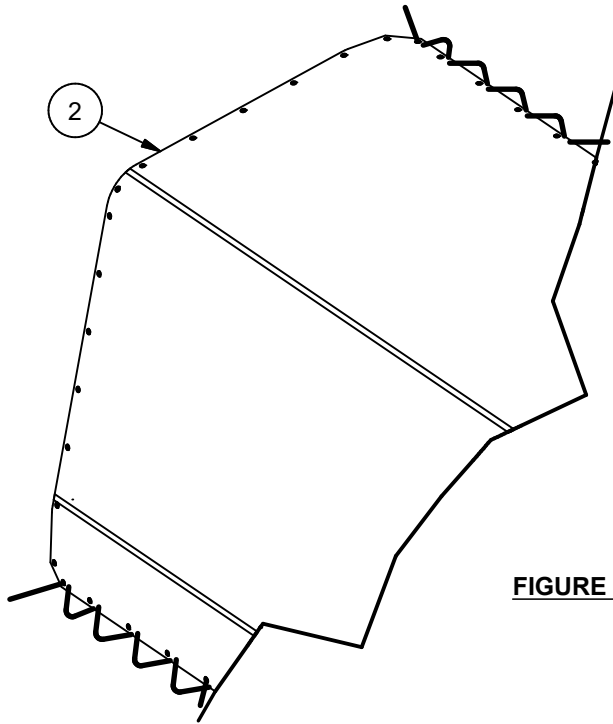
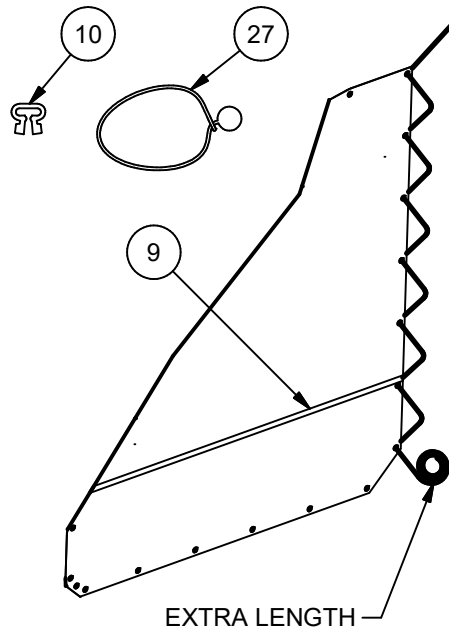


FIGURE E-1

ITEM	PART #	DESCRIPTION
2	CTS-18-PR	SOCCER SHELTER REAR COVER
9	CTS-RP	SOCCER SHELTER RIGHT SIDE COVER
10	ENC-824A	EASY TRACK NET CLIP
27	RR5022	BUNGIE BALL 6 in BLACK



3. Using a bungee ball in each top corner, affix the rear cover to the upper ends of the backstays on either end as shown in Figure E-2.

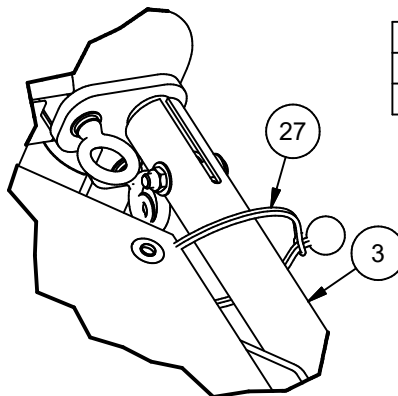
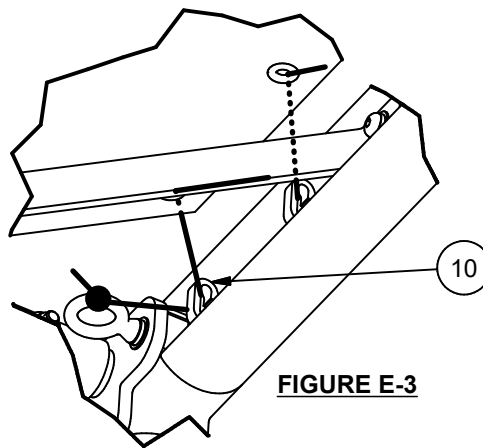


FIGURE E-2

ITEM	PART #	DESCRIPTION
3	CTS-A	SHELTER BACKSTAY ENDS
27	RR5022	BUNGIE BALL 6 in BLACK

SOCCER CLUB SHELTER

4. Using a square knot, tie the short end of the length of rope in the upper edge of the rear cover to the eyebolt as shown in Figure E-3.
5. Making your way down from this end, install a net clip around the rope and into the track in between each grommet, starting by placing one directly between the eyebolt and the first grommet. Allow about 1/4" of space between the edge of the cover and the face of the net clips/edge of the crossbar as shown in Figure E-3.
6. Once arriving at the opposite end, pull the rope tight and tie off using the matching eyebolt. Clip the end of the rope and wrap the free end with tape to ensure it doesn't fray.



ITEM	PART #	DESCRIPTION
10	ENC-824A	EASY TRACK NET CLIP

FIGURE E-3

7. As with the edges of the top, place a bungee ball in each corner of the bottom of the rear cover.
8. Install the net clips as before in the lower edge of the rear cover, tying the rope at either end and clipping in the same way.
9. Complete installing bungee balls on the remaining grommets in the sides of the rear cover as shown in Figure E-4.

ITEM	PART #	DESCRIPTION
27	RR5022	BUNGIE BALL 6 in BLACK

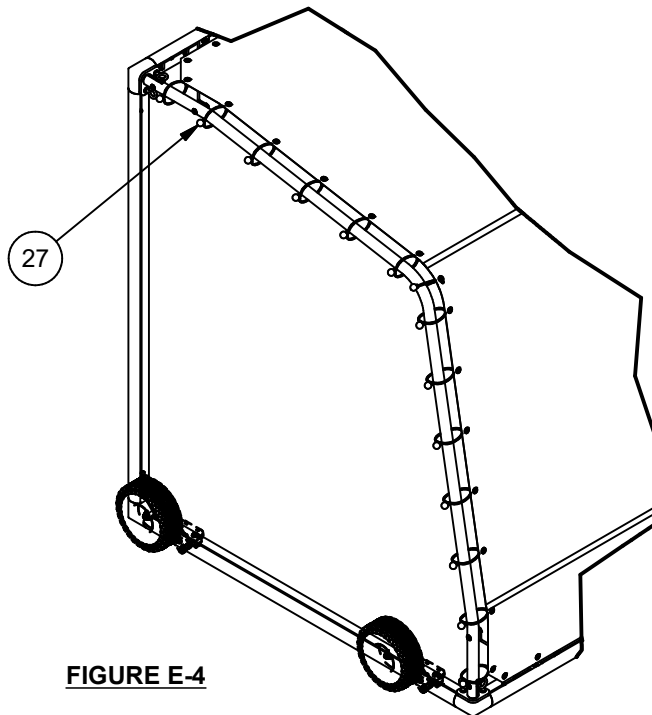


FIGURE E-4

SOCCER CLUB SHELTER

10. Using two bungee balls per side cover, hang the side covers loosely in each upper corner of the backstays as shown in Figure E-5.

ITEM	PART #	DESCRIPTION
9	CTS-RP	SOCCER SHELTER RIGHT SIDE COVER
27	RR5022	BUNGIE BALL 6 in BLACK

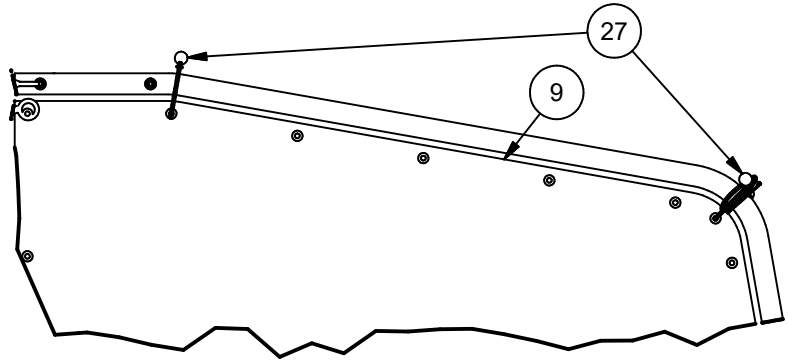


FIGURE E-5

11. As with the rear cover, start by tying off the upper end of the rope to the inside eyebolt using a square knot, and continue by inserting a net clip between each grommet, leaving about ½" gap between the edge of the cover, and the face of the net clip/edge of the upright and frame leg as shown in Figure E-6.

ITEM	PART #	DESCRIPTION
10	ENC-824A	EASY TRACK NET CLIP

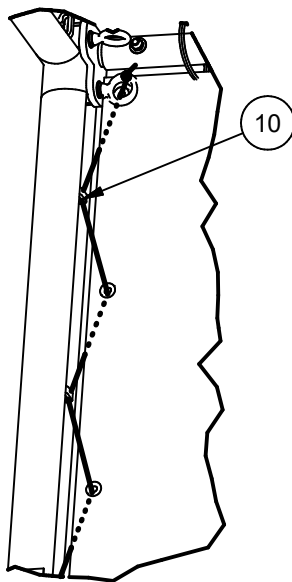


FIGURE E-6

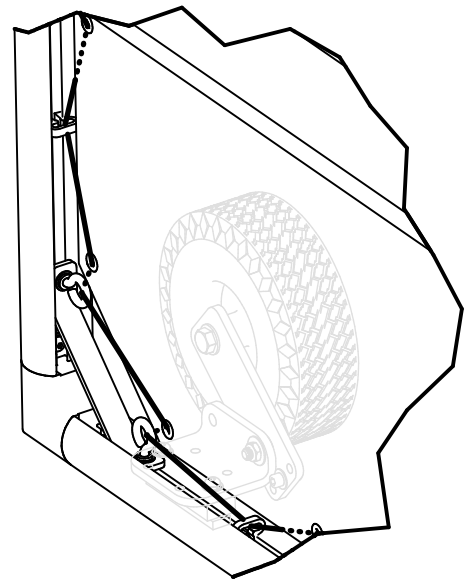


FIGURE E-7

12. In the lower front corner, weave the long end of the rope through the grommets and eyebolts as shown, in Figure E-7. Continue to weave the rope through the grommets along the bottom edge as with the other edge of the covers.
13. Continue inserting net clips as before, again leaving a roughly ½" gap. Once the end is reached, pull the rope taught and tie off to the corner eyebolt, clip the end and ensure it does not fray.
14. As with the rear cover, install the remaining bungee balls along the rear and upper edges of the side covers.

SOCCER CLUB SHELTER

SAND-BAG OR PERMANENT ANCHORS MUST USED AT ALL TIMES.

ASSEMBLING AND INSTALLING SAND-BAG ANCHORS

1. Un-zip and fill all 8 sandbags with dry all-purpose sand as shown in Figure F-1.

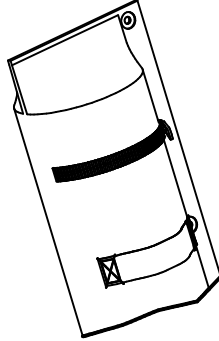


FIGURE F-1

2. Lay the sandbags in pairs on either side of the frame as shown in Figure F-2.

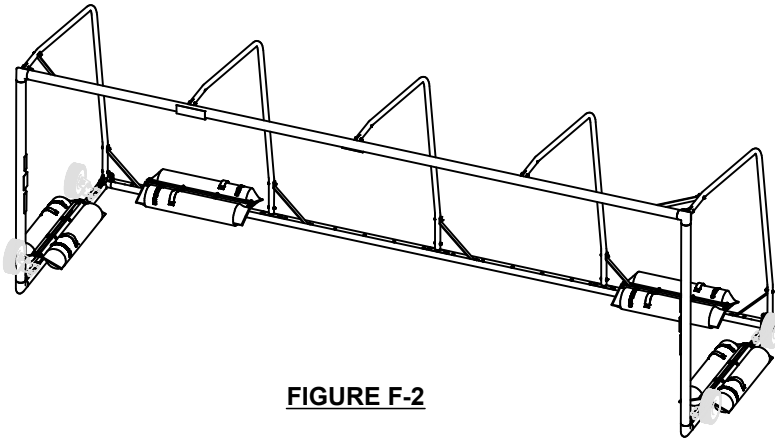


FIGURE F-2

3. Clip each pair of bags together with 3/8" quick links using the grommets as shown in Figure F-3.

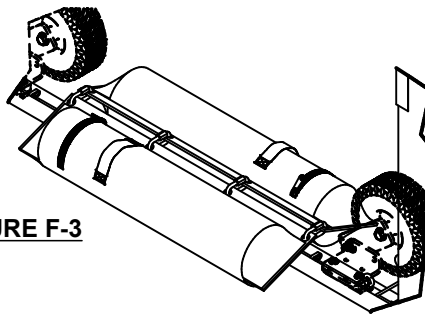


FIGURE F-3